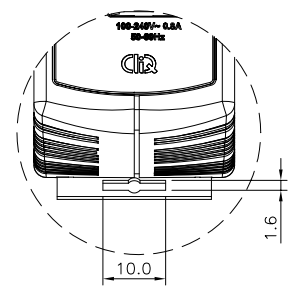
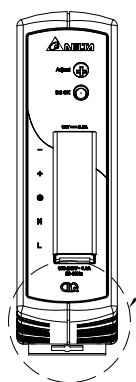
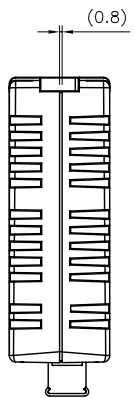
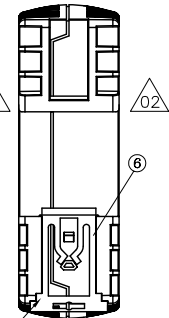
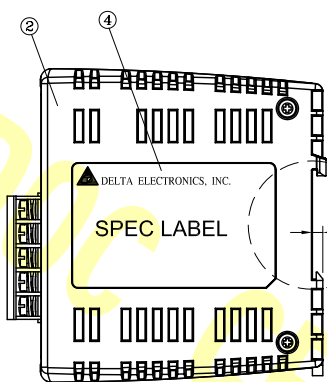
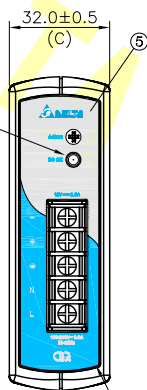
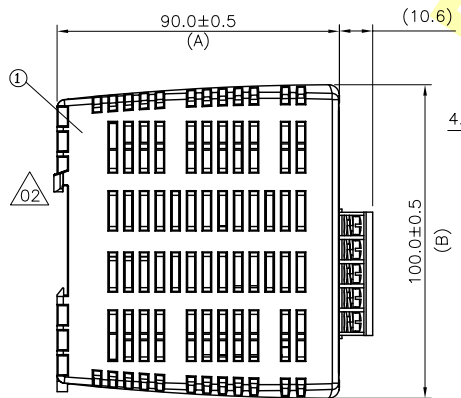


Detail "B"
Scale 2:1



Detail "A"
Scale 2:1



Slot dimension on latch.

LABEL MUST BE SMOOTH WITH CASE.
(DON'T HAVE AIR TRAP.)

CLIP MUST BE IN LATCH POSITION
BEFORE PACKING

FORCE
FOR LATCH: 3.0±0.1 Kgf.
FOR RELEASE: 2.0±0.1 Kgf.

ITEM	DESCRIPTION
1	CASE COVER
2	CASE CHASSIS
3	CONNECTOR 5 PIN
4	SPEC LABEL
5	FRONT LABEL
6	CLIP

NOTES:

- MARK (*) DIMENSIONS ARE CONTROL DIMENSION.
- PRODUCT SURFACE MUST BE CLEAN.
- SPEC LABEL DETAIL AND PRINTING CONTENTS REFER TO SN.
- MUST MEET DELTA GENERAL STANDARD: 10000-0162.

REVISIONS

Drawn	Design	Checked	Approved
ISSUE DATE		REV.	
- Spec Issue.			
Subrawat T Feb 24'2009	Subrawat T Feb 24'2009	Subrawat T Feb 24'2009	Subrawat T Feb 24'2009
Feb 24'2009		00	
- Increase hook size.			
Subrawat T Apr 21'2009	Subrawat T Apr 21'2009	Subrawat T Apr 21'2009	Subrawat T Apr 21'2009
Apr 21'2009		01	
- Increase hook size in chassis and cover.			
Subrawat T Jun 17'2009	Subrawat T Jun 17'2009	Subrawat T Jun 17'2009	Subrawat T Jun 17'2009
Jun 17'2009		02	

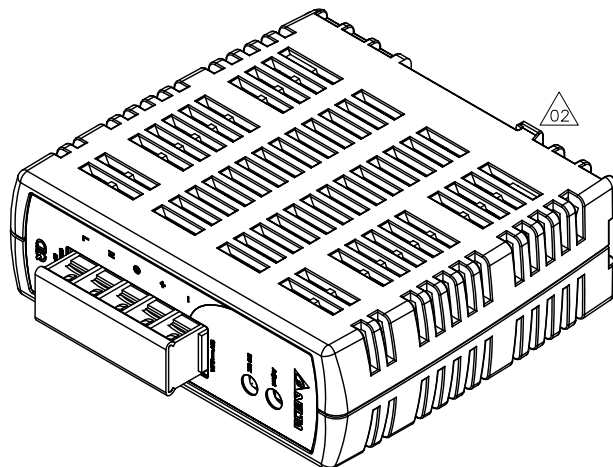
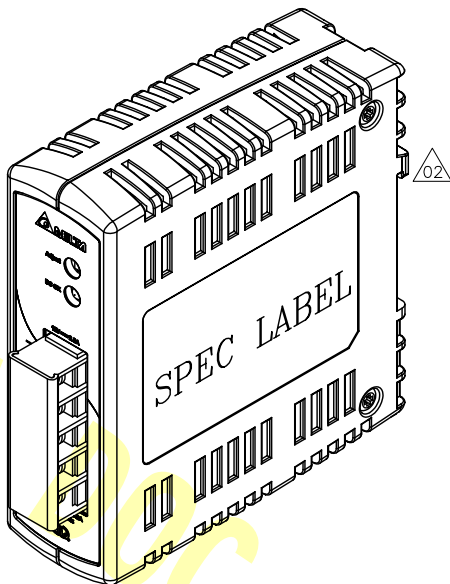
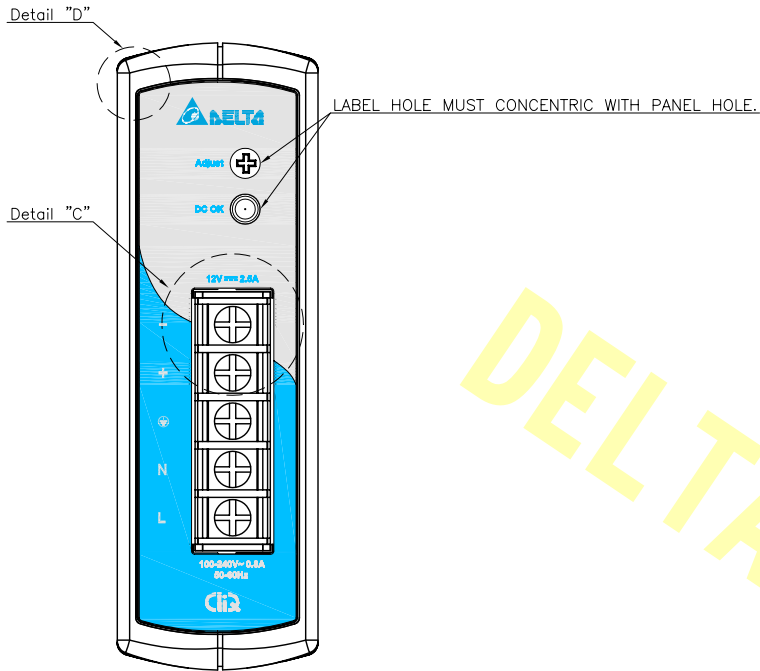
DELTA ELECTRONICS (THAILAND) PUBLIC COMPANY LIMITED	Drawn: Subrawat T Jun 17'2009	Safety: _____
	Design: Subrawat T Jun 17'2009	Layout: _____
THESE DRAWINGS AND SPECIFICATIONS ARE THE PROPERTY OF DELTA ELECTRONICS (THAILAND) PUBLIC CO., LTD. AND SHALL NOT BE REPRODUCED OR USED AS THE BASIS FOR THE MANUFACTURE OR SELL OF APPARATUSES OR DEVICES WITHOUT PERMISSION.	Checked: Chonwut Jun 17'2009	IE.: _____
	Approved: Jasti Jun 17'2009	E.E. Chk.: Pimphong Jun 17'2009
	Material: _____	E.E. Apvd: _____ Jun 17'2009
DIMENSIONAL TOLERANCES () () () () <30 :±0.25 DECIMALS UP~100~±0.2 250~300~±0.4 UP~600 :±1.5 >30~100 :±0.35 X :±0.3 100~150~±0.25 300~350~±0.45 600~900 :±2.4 >100~300 :±0.5 *X :±0.2 150~200~±0.3 350~400~±0.5 900~OVER~±3.1 ABOVE 300~±0.6 *XX:±0.10 200~250~±0.35	Description: PHYSICAL DIMENSION DRAWING	
SCALE: _____ UNIT: mm. USED ON: EOE11010158	Part No. PD-EOE11010158	REV. 02
SHEET 1 OF 2	ISSUE DATE: Jun 17'2009	

1

2

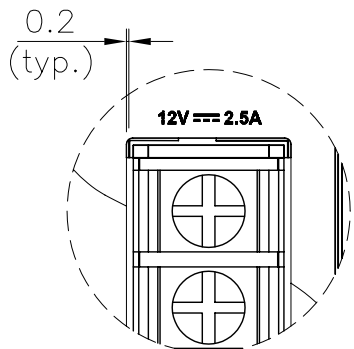
3

4

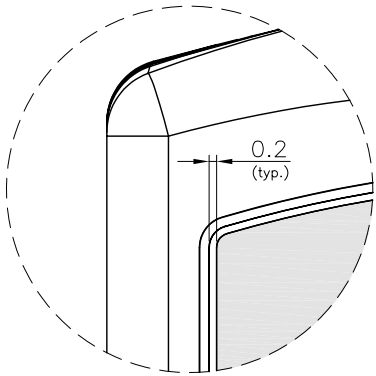


LABEL CONTROL POSITION.

ORIENTATION OF INSTALLATION WITH SYSTEM.



Detail "C" Scale 2:1



Detail "D" Scale 5:1

(DIMENSION BETWEEN LABEL HOLE AND PANEL CASE HOLE.)

DELTA ELECTRONICS (THAILAND) PUBLIC COMPANY LIMITED	Drawn: <i>Satirawat T</i> Jun 17'2009 Design: <i>Satirawat T</i> Jun 17'2009 Checked: <i>Chantana</i> Jun 17'2009 Approved: <i>Jun</i> Jun 17'2009 Material:	Safety: Layout: IE.: E.E. Chk.: <i>Punphong</i> Jun 17'2009 E.E. Apvd: <i>Jun</i> Jun 17'2009
	THESE DRAWINGS AND SPECIFICATIONS ARE THE PROPERTY OF DELTA ELECTRONICS (THAILAND) PUBLIC CO., LTD. AND SHALL NOT BE REPRODUCED OR USED AS THE BASIS FOR THE MANUFACTURE OR SELL OF APPARATUSES OR DEVICES WITHOUT PERMISSION.	
DIMENSIONAL TOLERANCES () () () <30 :±0.25 DECIMALS UP~100 :±0.2 250~300 :±0.4 UP~600 :±1.5 >30~100 :±0.35 X :±0.3 100~150 :±0.25 300~350 :±0.45 600~900 :±2.4 >100~300 :±0.5 XX :±0.2 150~200 :±0.3 350~400 :±0.5 900~OVER :±3.1 ABOVE 300 :±0.6 XXX :±0.10 200~250 :±0.35	HOLES : ±0.05 ANGLES : ±0.5° THIRD ANGLE PROJECTION	Description: PHYSICAL DIMENSION DRAWING
SCALE: <i>1/1</i> UNIT: mm. USED ON: EOE11010158	Part No. PD-EOE11010158 SHEET 2 OF 2 ISSUE DATE: Jun 17'2009	REV. 02

1

2

3

4