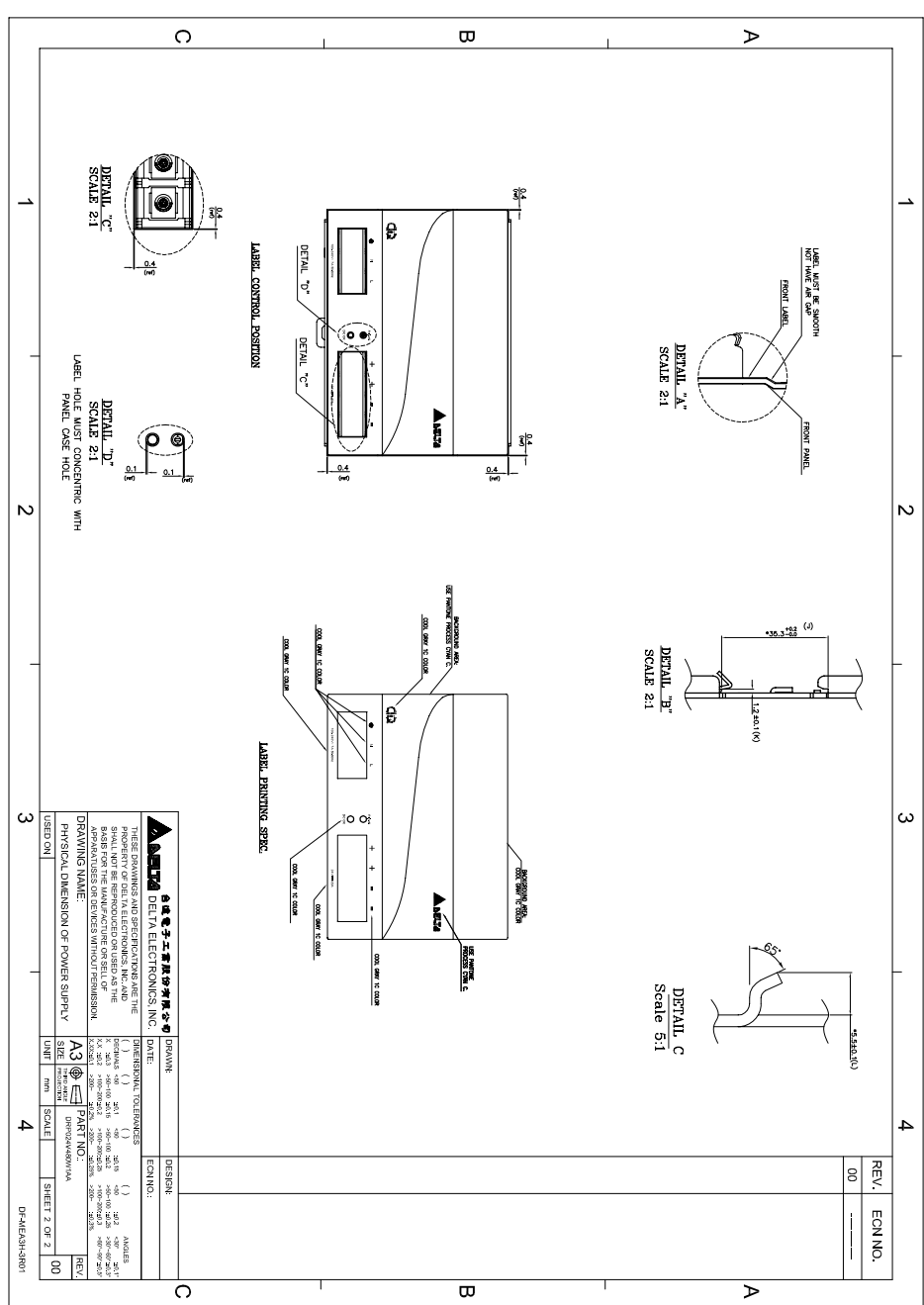


- NOTES:
1. PRODUCT SURFACE SHOULD BE CLEAN.
 2. * IS CRITICAL ASSY DIMENSION WHICH MUST BE INSPECTED BY DELTA FCC BEFORE SHIPPING.
 3. SPEC LABEL DETAIL AND PRINTING CONTENTS REFER TO SN.
 4. MUST MEET DELTA STANDARD : 10000-0162.

| | | | |
|---|------|---|--|
| DELTA ELECTRONICS, INC. | | DRAWN: _____ DATE: _____ | DESIGN: _____ ECN NO.: _____ |
| THESE DRAWINGS AND SPECIFICATIONS ARE THE PROPERTY OF DELTA ELECTRONICS, INC. AND SHALL NOT BE REPRODUCED OR USED AS THE BASIS FOR THE MANUFACTURE OF DELTA OR APPROXIMATELY EQUIVALENT DEVICES WITHOUT PERMISSION. | | DIMENSIONAL TOLERANCES () ±0.1 () ±0.2 () ±0.3 () ±0.05 () ±0.1 () ±0.15 () ±0.2 () ±0.02 () ±0.03 () ±0.04 () ±0.05 () ±0.01 () ±0.02 () ±0.03 () ±0.04 | ANGLES () 90° () 45° () 30° () 15° () 120° () 135° () 150° () 165° () 180° () 270° () 360° |
| DRAWING NAME: PHYSICAL DIMENSION OF POWER SUPPLY | | PART NO.: _____ DRAWING NO.: _____ | SHEET 1 OF 2 01 |
| USED ON | UNIT | SCALE | SHEET 1 OF 2 01 |



- NOTES:
1. PRODUCT SURFACE SHOULD BE CLEAN.
 2. * IS CRITICAL ASSY DIMENSION WHICH MUST BE INSPECTED BY DELTA FCC BEFORE SHIPPING.
 3. SPEC LABEL DETAIL AND PRINTING CONTENTS REFER TO SN.
 4. MUST MEET DELTA STANDARD : 10000-0162.

| | | | |
|---|------|---|--|
| DELTA ELECTRONICS, INC. | | DRAWN: _____ DATE: _____ | DESIGN: _____ ECN NO.: _____ |
| THESE DRAWINGS AND SPECIFICATIONS ARE THE PROPERTY OF DELTA ELECTRONICS, INC. AND SHALL NOT BE REPRODUCED OR USED AS THE BASIS FOR THE MANUFACTURE OF DELTA OR APPROXIMATELY EQUIVALENT DEVICES WITHOUT PERMISSION. | | DIMENSIONAL TOLERANCES () ±0.1 () ±0.2 () ±0.3 () ±0.05 () ±0.1 () ±0.15 () ±0.2 () ±0.02 () ±0.03 () ±0.04 () ±0.05 () ±0.01 () ±0.02 () ±0.03 () ±0.04 | ANGLES () 90° () 45° () 30° () 15° () 120° () 135° () 150° () 165° () 180° () 270° () 360° |
| DRAWING NAME: PHYSICAL DIMENSION OF POWER SUPPLY | | PART NO.: _____ DRAWING NO.: _____ | SHEET 1 OF 2 00 |
| USED ON | UNIT | SCALE | SHEET 1 OF 2 00 |